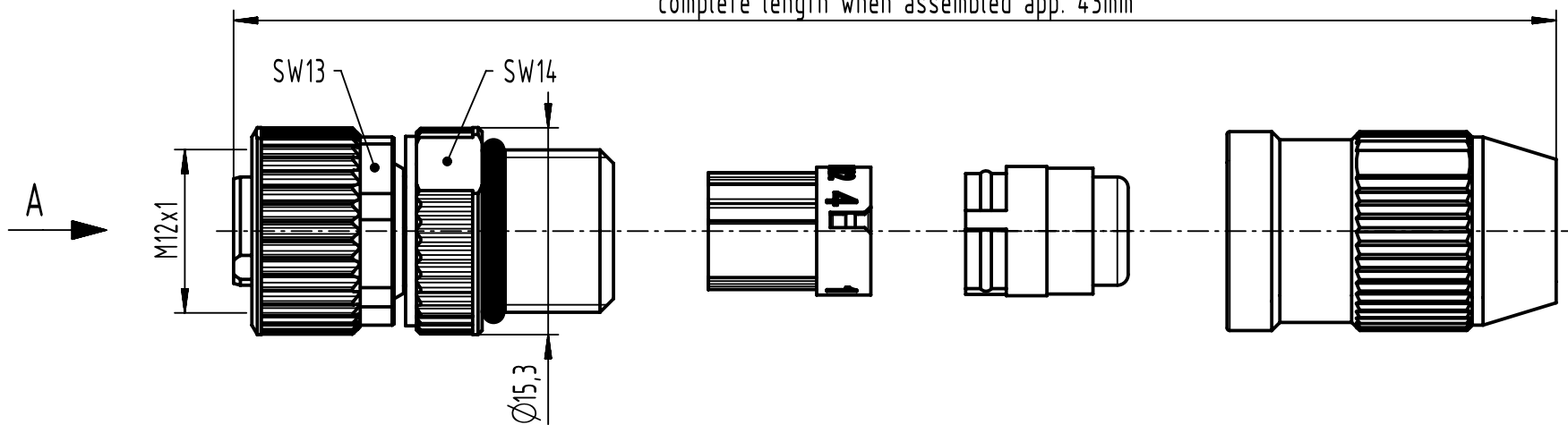


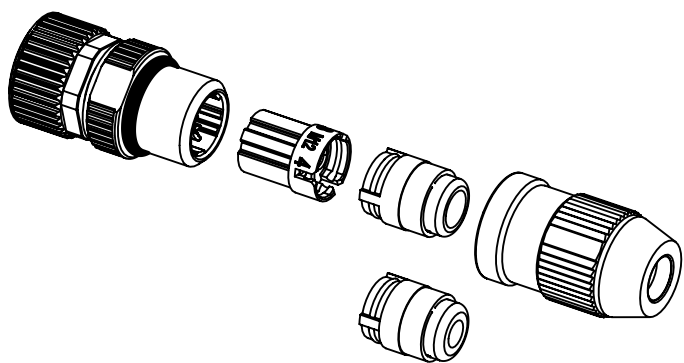
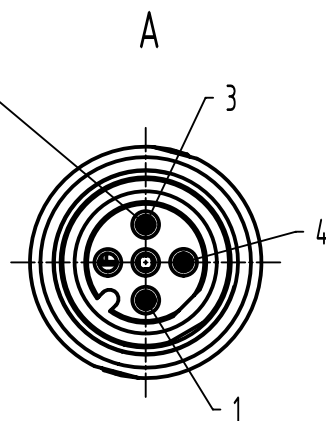
1 2 3 4 5 6

A
B
C
D

complete length when assembled app. 43mm



contact face acc. to IEC 61076-2-101



conductor cross section	0.14 - 0.34mm ² AWG26-AWG22
cable outside diameter	2.9 - 5.1mm

	All rights reserved Department EL PD	All Dimensions in mm Original Size DIN A4	Scale 2:1	Free size tol.	Ref. Sub.	
		HARTING D-32339 Espelkamp	Created by BUSSMANN	Inspected by 104.122	Standardisation	Date 2022-09-27
Title M12-S-CC-IDC-3P-ACOD-F-STR					Doc-Key / ECM-Nr. 100190978/UGD/002/G 500000220907	
Type TB				Number 21031112305	Rev. G	Page 1/1